



CA
ST
IRON
FIRE
FUR
NITU
RE



Lunaway
**Complements
for fireplaces
and stoves**





Download digital catalogue

In the catalogue there are QR codes, if you do not have the reading software you can find all the documents on www.lunaway.it/greek-official-distributor and you can download the QR code reading software for free.

All images are property of **Lunaway**.

Weights and dimensions may vary from this catalogue.

Edition 2023/1 | Finished in July 2023

Printed on recycled paper



INDEX

COMPLEMENTS FOR FIREPLACES AND STOVES

- 01. Cast iron plates** / page 5
 - 01.1 Fixing
 - 01.2 Customised smooth plates
 - 01.3 Grooved plates
 - 01.4 Edge
 - 01.5 Decorated plates
 - 01.6 Customised decorated plates
 - 01.7 Customised productions

- 02. Cast iron grates** / page 36
 - 02.1 Ashtray drawers
 - 02.2 Ventilation grates

- 03. Cast-iron firewood holders and winglets** / page 42

- 04. General terms and conditions of sale** / page 50



Cast iron plates

Lunaway's fireplace plates are not only a valuable ornament, but they also add life to the fireplace thanks to the prestigious qualities of cast iron, which stores and reflects heat for a long time even after the fire has been extinguished.

In order to make the most of the heat of your fireplace, we recommend covering it entirely in cast iron. This will protect both the firebox area, preventing the interior from crumbling, and the walls, which will no longer absorb dispersed heat.

As a rule, the suggested height is at least 50 cm, enough to cover the open flame, but if the fireplace allows it, it is advisable to install higher front plates so as to better recover the heat, including that of the fumes, and to completely cover the masonry or refractory part for an optimal aesthetic result.

GUARANTEE OF DURABILITY

Cast iron plates have a very long life. We can still find original 18th century plates in some buildings of that era.

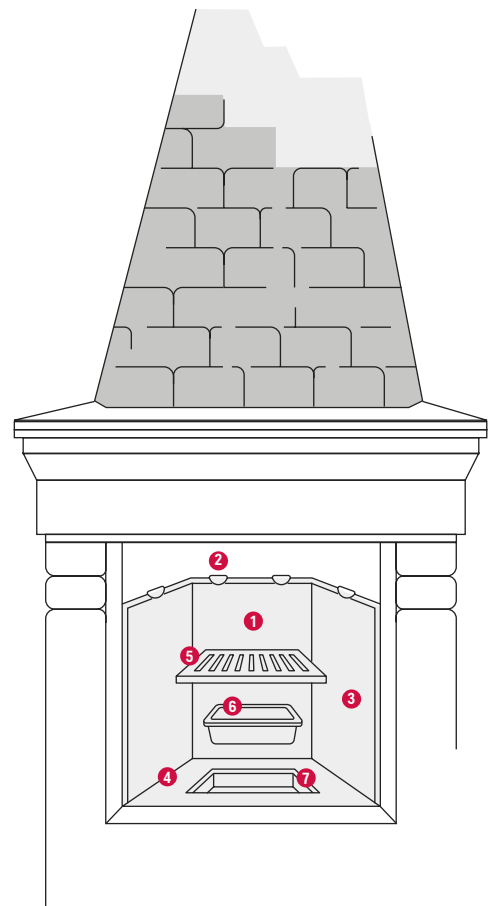
It is a matter of following a few simple precautions.

- + Install with expansion in mind.
- + Avoid putting out the fire with water.
- + At the end of each season, remove ash deposits with an iron brush.

TIP

For an excellent result, the cast iron plates can be treated with a special, heat-resistant (up to 600°C), highly protective, cast-iron-coloured lamellar paint, which gives them a clean, original appearance.

ART.	HR	MI
SPRAY HT	600°	400



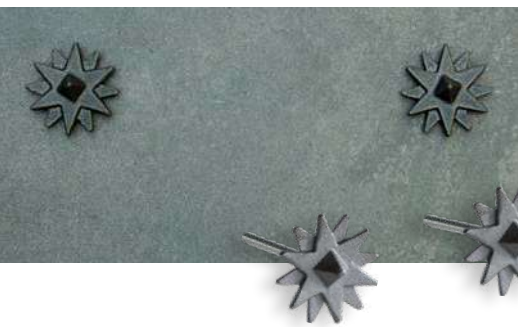
LEGEND

1. FRONT PLATE
2. FASTENING BRACKET
3. SIDE PLATE
4. CAST IRON BASE
5. GRATE
6. DRAWER
7. DRAWER HOLE





GRAPIN / CAST IRON



GRASTAR / CAST IRON



GRALILY / CAST IRON



GRA / GALVANISED STEEL

Fixing

For correct installation, it is recommended that the base be fitted first and then the gables and side panels. The base does not need to be fixed, its own weight is sufficient. However, it must be placed flat and, if necessary, a bed of sand should be placed on it, which will help to level it and enhance the heat refraction properties of the cast iron.

EXAMPLE 1

If we want to use **GRAPIN** or **GRASTAR**, we must first drill holes in the top of the plate with a diameter 11 iron drill bit (or request drilling when ordering), then insert the brackets and clamp the plate. If you want to install plates with a negative inclination, holes must be drilled in all 4 corners.

EXAMPLE 2

The plates can be fixed in different ways. With **GRA** or **GRALILY** clamps we will position the plates slightly inclined and after having made the holes in the refractory, we will insert the clamps and clamp the plate leaving a tolerance of a few millimetres for expansion. The hole for **GRA** and **GRALILY** must be made 1 cm above the upper side of the slab and 5 cm inside with respect to the external side.

FIXING CLAMPS

ART.	DIMENSIONS	Kg
GRAPIN	2 x 10 x 2 h cm	0,10
GRASTAR	5 x 10 x 5 h cm	0,20

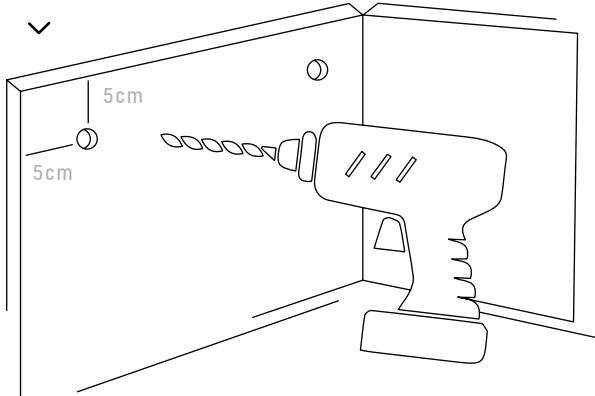
ART.	DIMENSIONS	Kg
GRALILY	3 x 10 x 3,5 h cm	0,10
GRA	3 x 8,3 x 2,5 h cm	0,20

The price is per pair.

CAST IRON PLATES DRILLING

ART.	DESCRIPTION
DRILL	PAIR OF HOLES FOR GRAPIN O GRASTAR

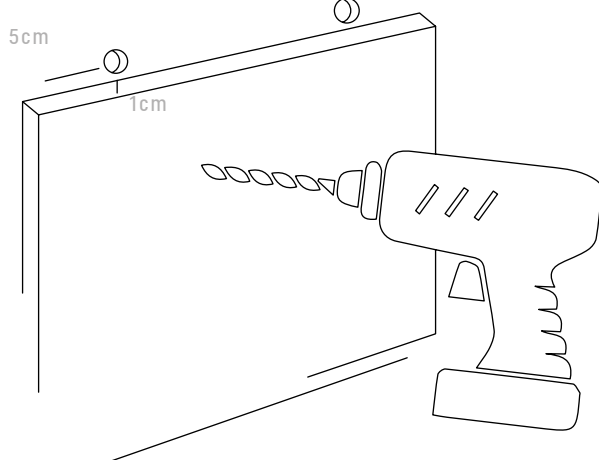
Hole diameter: 11mm



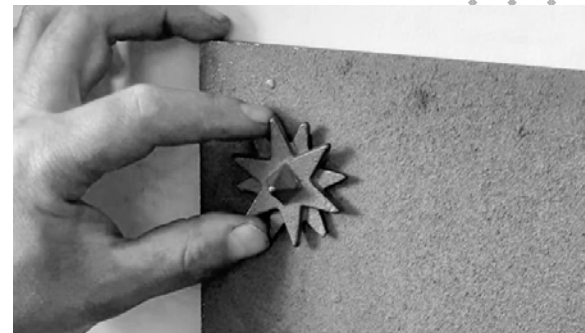
It is possible to drill holes in cast iron with a standard drill and a steel drill bit. The diameter of the hole must be 11 mm in order to allow for expansion during use of the fireplace. The 2 holes will be positioned 5 cm from the upper edge and 5 cm from the outer edge.

As in example 2, if GRA and GRALILY are used, the plate will not be pierced but only the refractory will be pierced.

Hole diameter: 11mm



EXAMPLE 1



EXAMPLE 2



Alternatively, the plates can be inserted into fireplaces with the **FEET** cast iron supports, which do not require any fixing.



POSITIONING
FEET DETAIL



FEET / CAST IRON

SUPPORTS

ART.	DIMENSIONS	Kg
FEET	5 x 14,5 x 9,2 h cm	1,45

Ideal for supporting cast iron plates.
The price is per pair.

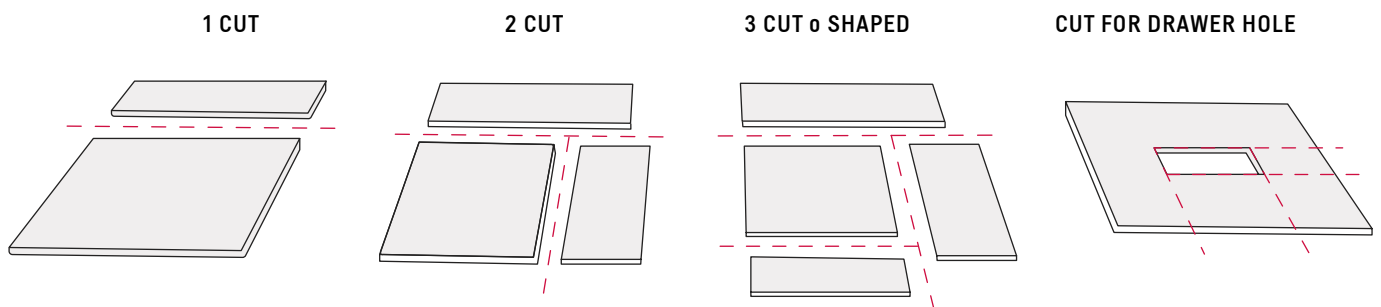


Customised smooth plates

Smooth sheets are ideal for covering the walls of the fireplace as well as for the base. We have more than 30 different sizes of smooth plates available, but if you need different sizes, you can request them to be cut or shaped to size.

Any type of shape and size is possible (up to a maximum of 120 x 140 cm).

To do this, a plate with greater dimensions than those to be obtained must be identified and all the internal dimensions of the sides must be indicated in detail. If it is a shaped cut, it is advisable to send a drawing or sketch and if the hole for the grate and ash collection tray is also requested, the correct position must be indicated.



CUSTOMISED CUTS

ART.	DESCRIPTION
CUT 1	1 CUT
CUT 2	2 CUTS
CUT 3	3/+ CUTS
CUT ASH	CUT PER DRAWER





STANDARD MEASURES



THICKNESS - cm 0,8

ART.	DIMENSIONS	Kg
LL 4040 0,8	40 x 40 x 0,8 cm	8,50
LL 4050 0,8	40 x 50 x 0,8 cm	11,70
LL 4060 0,8	40 x 60 x 0,8 cm	13,20
LL 5050 0,8	50 x 50 x 0,8 cm	14,00
LL 5060 0,8	50 x 60 x 0,8 cm	18,00
LL 5070 0,8	50 x 70 x 0,8 cm	18,20
LL 6060 0,8	60 x 60 x 0,8 cm	18,50

THICKNESS - cm 1,2 / 1,4

ART.	DIMENSIONS	Kg
LL 60120 1,2	60 x 120 x 1,2 cm	60,50
LL 80100 1,2	80 x 100 x 1,2 cm	66,00
LL 80110 1,2	80 x 110 x 1,2 cm	77,00
LL 80130 1,2	80 x 130 x 1,2 cm	86,50
LL 90100 1,2	90 x 100 x 1,2 cm	77,50
LL 100100 1,2	100 x 100 x 1,2 cm	86,00
LL 100130 1,2	100 x 130 x 1,2 cm	105,00
LL 120140 1,4	120 x 140 x 1,4 cm	176,00

THICKNESS - cm 1

ART.	DIMENSIONS	Kg
LL 4050 1	40 x 50 x 1 cm	13,00
LL 4060 1	40 x 60 x 1 cm	17,00
LL 7040 1	70 x 40 x 1 cm	20,30
LL 5050 1	50 x 50 x 1 cm	18,00
LL 5060 1	50 x 60 x 1 cm	21,50
LL 5070 1	50 x 70 x 1 cm	24,70
LL 5075 1	50 x 75 x 1 cm	25,80
LL 5080 1	50 x 80 x 1 cm	28,00
LL 6060 1	60 x 60 x 1 cm	25,50
LL 6070 1	60 x 70 x 1 cm	28,50
LL 6080 1	60 x 80 x 1 cm	32,00
LL 6090 1	60 x 90 x 1 cm	36,50
LL 60100 1	60 x 100 x 1 cm	41,00
LL 7070 1	70 x 70 x 1 cm	30,50
LL 7090 1	70 x 90 x 1 cm	43,00
LL 8080 1	80 x 80 x 1 cm	44,00
LL 8090 1	80 x 90 x 1 cm	52,20

Grooved plates



BACK
GROOVED
PLATE

The plates of the grooved series are the strongest of our production and are designed for fireplaces where high temperatures are reached even for many hours.

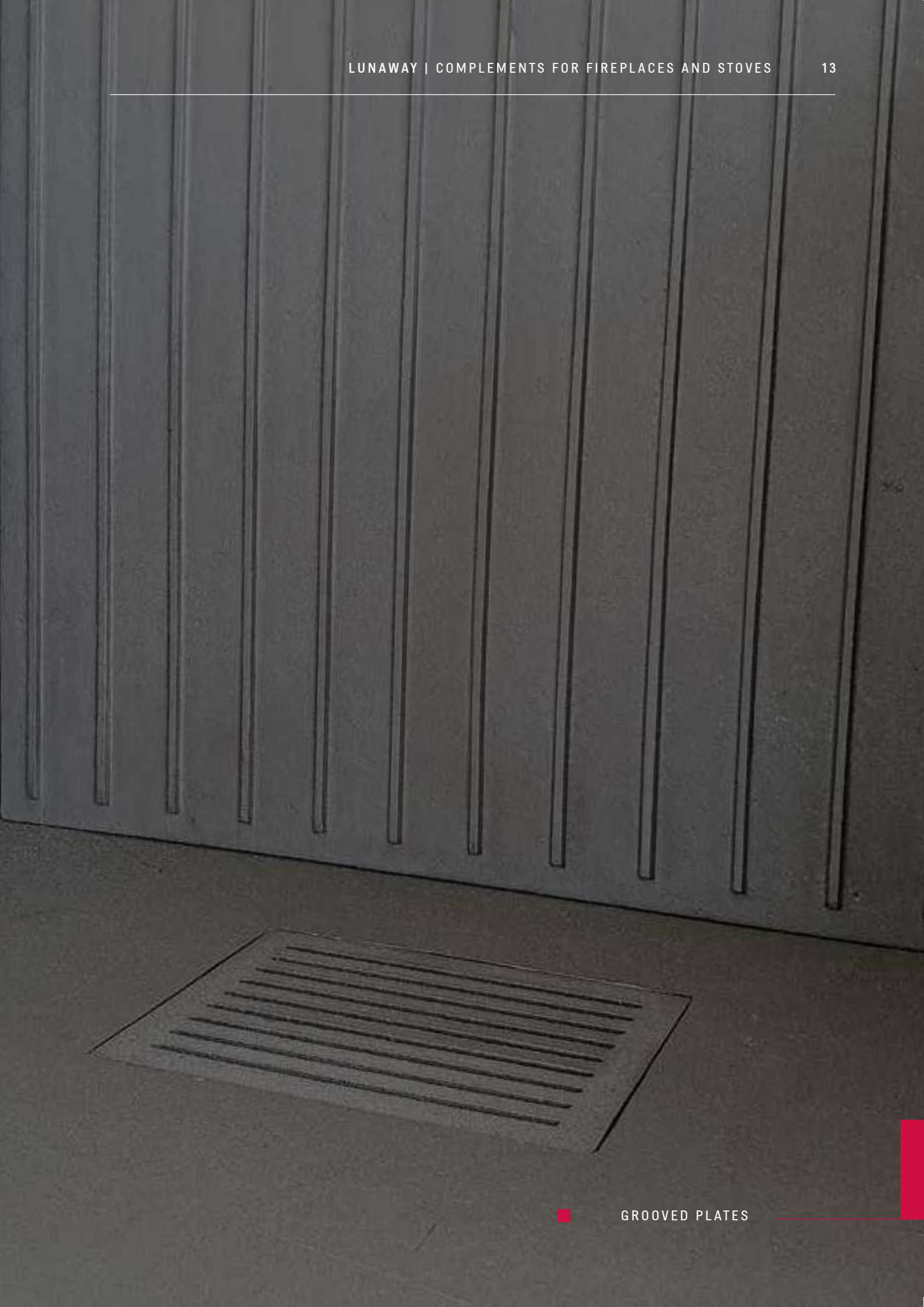
THICKNESS - cm 0,8

ART.	DIMENSIONS	Kg
LS 4950 0,8	49 x 50 h x 0,8 cm	15,80
LS 5750 0,8	57 x 50 h x 0,8 cm	18,20
LS 6050 0,8	60 x 50 h x 0,8 cm	17,00
LS 7050 0,8	70 x 50 h x 0,8 cm	22,00

THICKNESS - cm 1

ART.	DIMENSIONS	Kg
LS 4950 1	49 x 50 h x 1 cm	18,00
LS 6050 1	60 x 50 h x 1 cm	23,30
LS 7050 1	70 x 50 h x 1 cm	27,70
LS 6060 1	60 x 60 h x 1 cm	28,30
LS 7060 1	70 x 60 h x 1 cm	32,00
LS 8060 1	80 x 60 h x 1 cm	39,00

* the prices shown here are excluding VAT



INSTALLATION EXAMPLE OF
EDGE PLATES, VERTICALLY
ARRANGED

CAST IRON FIRE FURNITURE

Edge



BACK
EDGE
PLATE

The Edge series plates are ideal for embellishing the walls of fireplaces thanks to their special design, which allows them to be installed both vertically and horizontally as well as on the front and back, according to preference.

In addition, the special surface is designed to increase the radiating surface and resistance compared to traditional smooth plates.

THICKNESS - cm 1

ART.	DIMENSIONS	Kg
LE 5050 1	50 x 50 h x 1 cm	12,50
LE 6050 1	60 x 50 h x 1 cm	15,50
LE 7050 1	70 x 50 h x 1 cm	18,00
LE 6060 1	60 x 60 h x 1 cm	19,00
LE 7060 1	70 x 60 h x 1 cm	21,00
LE 8060 1	80 x 60 h x 1 cm	22,50

Decorated plates



CAST IRON FIRE FURNITURE



in photo: plate cm 60 x 60h

To view images of
other sizes, visit
lunaway-fireplace.com

GIGLIO

ART.	DIMENSIONS	Kg
FO 02 60	60 x 60 h x 1 cm	26,30
FO 02 80	80 x 60 h x 1,2 cm	41,50
FO 02 110	110 x 80 h x 1,2 cm	87,50



58 cm



VELIERO

ART.	DIMENSIONS	Kg
FO 021	100 x 74 h x 2 cm	75,00



ROYAL CASE

ART.	DIMENSIONS	Kg
FO 037	100 x 80 h x 1 cm	90,00



63 cm

DAMA

DAMA

ART.	DIMENSIONS	Kg
FO 024	80 x 80 h x 2 cm	59,00



PUTTI

PUTTI

ART.	DIMENSIONS	Kg
FO 027	80 x 80 h x 2 cm	62,00

DEI

**DEI**

ART.	DIMENSIONS	Kg
FO 09	58 x 67 h x 1 cm	37,00

VENUS

69,5 cm

**VENUS**

ART.	DIMENSIONS	Kg
FO 022	80 x 80 h x 1,2 cm	58,00



38 cm

ROYAL LILY

ART.	DIMENSIONS	Kg
FO 028	50 x 50 h x 2 cm	21,00



37,5 cm

LION

ART.	DIMENSIONS	Kg
FO 029	55 x 45 h x 2 cm	17,50

in photo: plate cm 120 x 60h

38 cm



SPADE

ART.	DIMENSIONS	Kg
FO 04	120 x 60 h x 1,6 cm	71,00

To view images of other sizes, visit lunaway-fireplace.com

41 cm



KING

ART.	DIMENSIONS	Kg
FO 031	50 x 50 h x 2,2 cm	23,00



FOCOLAR

ART.	DIMENSIONS	Kg
FO 019	69 x 68 h x 1 cm	42,50



TABLE

in photo: plate cm 80 x 60h

ART.	DIMENSIONS	Kg
FO 011	38 x 38 h x 1 cm	10,00
FO 01 60	60 x 60 h x 1 cm	22,40
FO 01 80	80 x 60 h x 1,2 cm	46,50
FO 01 110	110 x 80 h x 1,2 cm	91,00

To view images of
other sizes, visit
lunaway-fireplace.com

CAT
CH

31 cm



CATCH

ART.	DIMENSIONS	Kg
FO 026	48 x 38 h x 1,6 cm	17,00

HUN
TER



HUNTER

ART.	DIMENSIONS	Kg
FO 020	78 x 75 h x 1 cm	54,00



LANDSCAPE

ART.	DIMENSIONS	Kg
FO 034	60 x 60 h x 1 cm	25,00



HORSES

HORSES

ART.	DIMENSIONS	Kg	€
FO 032	50 x 50 h x 1 cm	22,50	135,00

* the prices shown here are excluding VAT

DE
ER

DEER

ART.	DIMENSIONS	Kg	€
FO 08 60	60 x 60 h x 1 cm	31,00	179,50
FO 08 80	80 x 60 h x 1,2 cm	40,00	233,00
FO 08 110	110 x 80 h x 1,2 cm	80,00	462,00

in photo: plate cm 80 x 60h

To view images of
other sizes, visit
lunaway-fireplace.com

RAB
BIT

RABBIT

ART.	DIMENSIONS	Kg	€
FO 033	50 x 50 h x 1 cm	23,00	136,00

* the prices shown here are excluding VAT



44 cm

BI
RDS**BIRDS**

ART.	DIMENSIONS	Kg	€
FO 010	53 x 49 h x 1 cm	16,00	93,50



in photo: plate cm 60 x 60h

FI
SH**FISH**

To view images of
other sizes, visit
lunaway-fireplace.com

ART.	DIMENSIONS	Kg	€
FO 012 60	60 x 60 h x 1 cm	29,20	169,50
FO 012 80	80 x 60 h x 1,2 cm	37,00	214,50

* the prices shown here are excluding VAT

TULIPANS



in photo: plate cm 60 x 80h

TULIPS

ART.	DIMENSIONS	Kg	€
FO 05 60	60 x 60 h x 1 cm	30,00	174,00
FO 05 80	80 x 60 h x 1,2 cm	37,00	214,50

To view images of other sizes, visit lunaway-fireplace.com

UVA



UVA

ART.	DIMENSIONS	Kg	€
FO 035	50 x 70h x 1 cm	22,00	134,00

* the prices shown here are excluding VAT



SPI
GA

SPIGA

ART.	DIMENSIONS	Kg	€
FO 036	50 x 70h x 1 cm	31,50	182,00



35 cm

DE
CO

DECO

in photo: plate cm 60 x 60h

To view images of other sizes, visit lunaway-fireplace.com

ART.	DIMENSIONS	Kg	€
LD 4640	40 x 46 h x 1 cm	10,70	66,00
LD 6060	60 x 60 h x 1 cm	23,50	138,00
LD 8060	80 x 60 h x 1 cm	29,00	163,00

* the prices shown here are excluding VAT

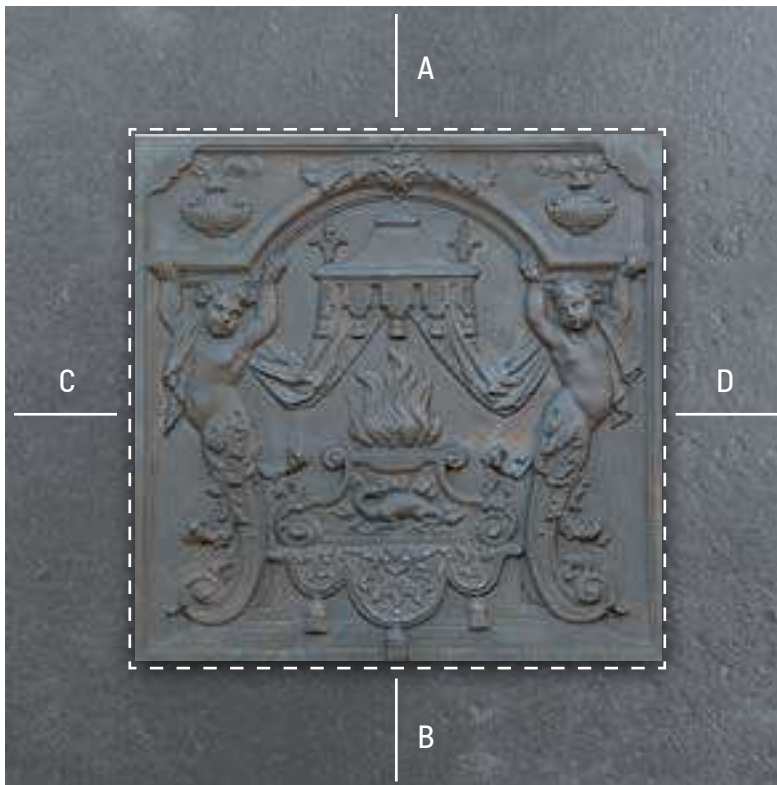
Customised decorated plates

It is possible to insert on a smooth slab the decorations you have seen on the previous pages starting from the minimum indicated size.

Example: Figure A, plate model FO 027 (Putti) has a minimum size of 80 x 80 cm; if we want to create a front plate with dimensions 100 x 100 we will use a LL100100 which we will cut to size. The decorated plate will be positioned in the centre, unless otherwise requested, and will be fixed by screws from the rear.

NB: For this type of request, it is advisable to contact our technical sales department who will help you find the best solution for you.

FIG. A





Customised productions

It is also possible to make customised molds with coats of arms, rosettes, dates and names by requesting the modelling. Our craftsmen can faithfully copy drawings or bas-reliefs, and the mould can be used not only for fireplace plates but for all needs (see example on next page).

EXAMPLE OF REPRODUCTION OF HERALDIC COAT OF ARMS

ORIGINAL COAT OF ARMS



01

CAST IRON COAT OF ARMS



02

CAST IRON FIRE FURNITURE



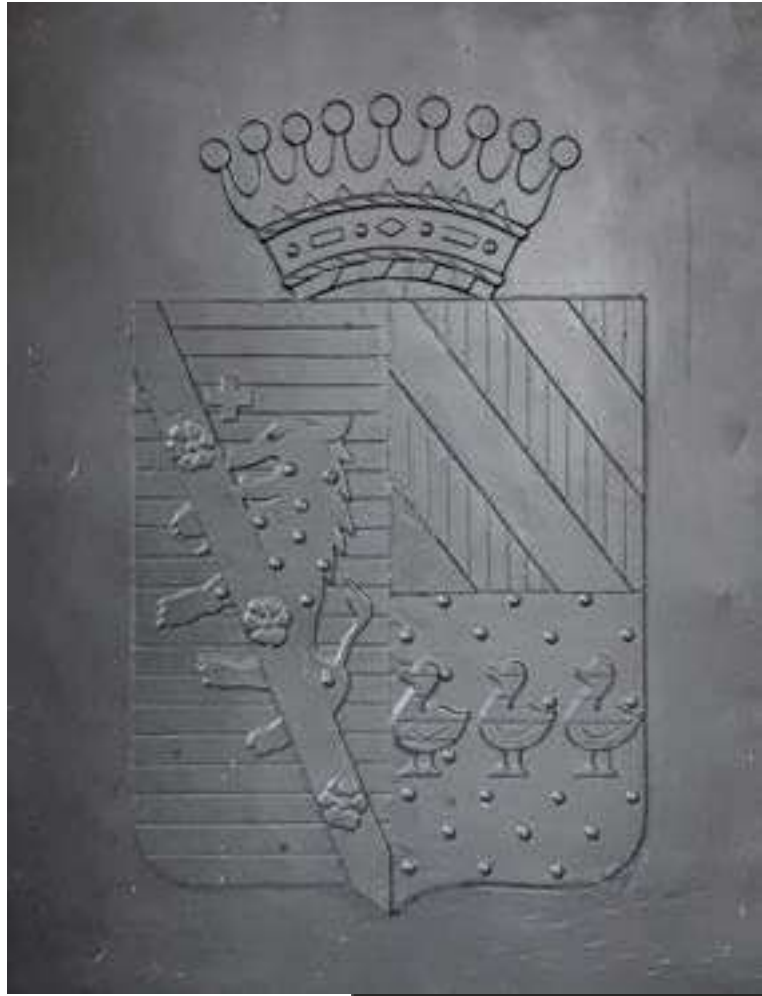
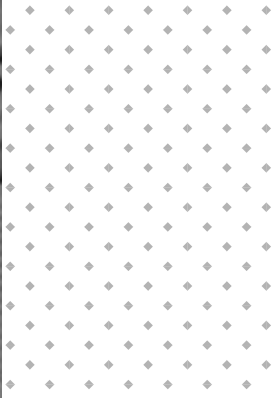
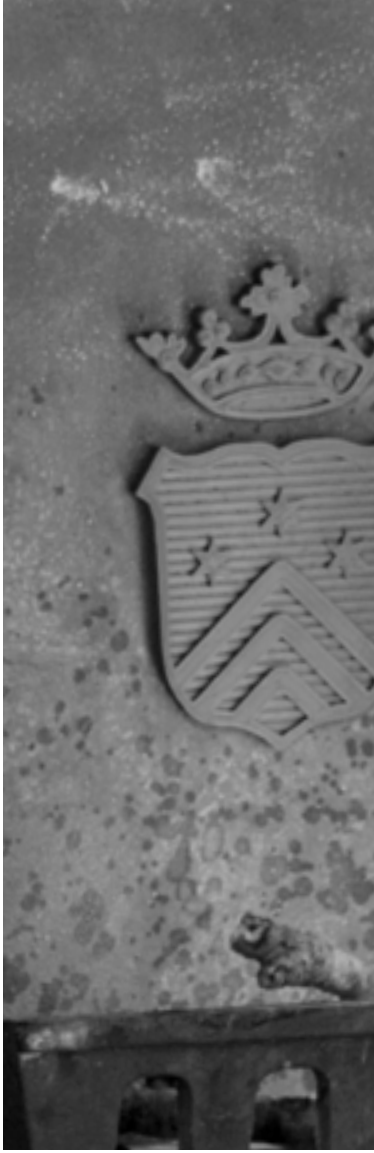


PLATE WITH COAT OF ARMS

03



EXAMPLES OF ACHIEVEMENTS



CAST IRON FIRE FURNITURE





Cast iron grates

ART.	DIMENSIONS	Kg	€
GA 238188	23,8 x 18,8 h cm	2,10	15,00
GA 290182	29 x 18,2 h cm	2,20	16,00
GA 300206	30 x 20,6 h cm	2,50	19,00

Thickness 1 cm



ART.	DIMENSIONS	Kg	€
GA 240160	24 x 16 h cm	2,20	12,50

Thickness 1 cm, central thickness 2 cm



GA 293215	29,3 x 21,5 h cm	3,20	17,00
-----------	------------------	------	-------

Thickness 1 cm, central thickness 1,8 cm



ART.	DIMENSIONS	Kg	€
GA 195234	19,5 x 23,4 h cm	2,80	21,00

Thickness 1,2 cm

ART.	DIMENSIONS	Kg	€
GA 235235	23,5 x 23,5 h cm	2,70	20,00
GA 205235	20,5 x 23,5 h cm	2,00	15,00
GA 207191	20,7 x 19,1 h cm	1,90	14,50

Thickness 1,0 cm



GA 225255	22,5 x 25,5 h cm	3,00	21,50
-----------	------------------	------	-------

Thickness 1,2 cm



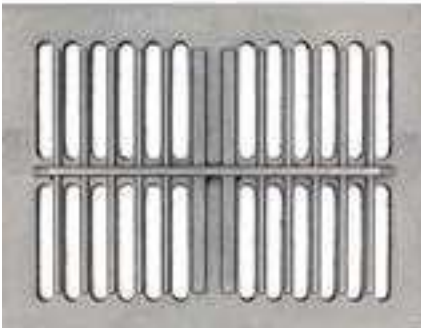
ART.	DIMENSIONS	Kg	€
GA 362100	36,2 x 10 h cm	1,70	13,00
GA 295150	29,5 x 15 h cm	2,05	15,00
GA 313195	31,3 x 19,5 h cm	3,10	22,00

Thickness 1 cm



ART.	DIMENSIONS	Kg	€
GA160160	16 x 16 h cm	1,40	11,00

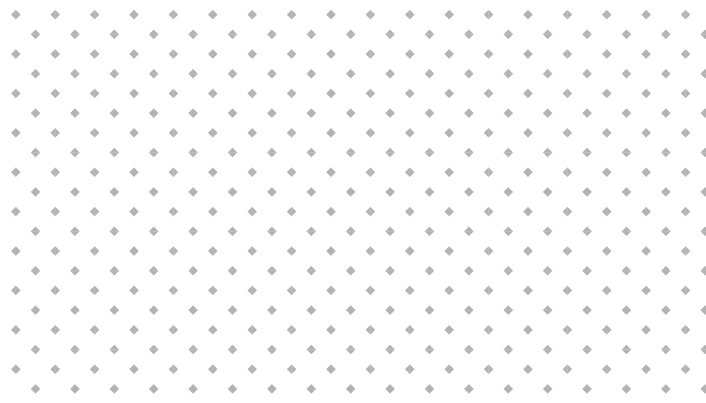
Thickness 0,6 cm on 3 sides, central thickness 1 cm



ART.	DIMENSIONS	Kg	€
GA304209	30,4 x 20,9 h cm	3,70	27,50
GA318248	31,8 x 24,8 h cm	3,90	28,50
GA340248	34 x 24,8 h cm	4,80	35,50

Thickness 1 cm, central thickness 1,8 cm

* the prices shown here are excluding VAT



ART.	DIMENSIONS	Kg	€
GA 500400	50 x 40 h cm	8,70	62,50



ART.	DIMENSIONS	Kg	€
GA 600400	60 x 40 h cm	14,70	105,50

Spessore 2,1 cm, spessore centrale 1,5 cm



ART.	DIMENSIONS	Kg	€
GA 450300	45 x 30 h cm	10,50	78,00

Spessore 2 cm



* the prices shown here are excluding VAT

Ashtray drawers

ART.	DIMENSIONS	Kg	€
ASH 2419	24 x 19 x 7 h cm	0,65	13,00

Compatible with grate GA 238188

ASH 3020	30 x 20 x 7 h cm	0,86	17,50
----------	------------------	------	-------

Compatible with grate GA 300206



Example of grate application



* the prices shown here are excluding VAT

Ventilation grates

ART.	DIMENSIONS	Kg	€
GA 150150	15 x 15 cm	1,05	8,00
GA 200200	20 x 20 cm	1,80	13,50
GA 250250	25 x 25 cm	2,50	19,00

Shaped - Perimeter thickness 1.5 cm, centre thickness 1 cm



ART.	DIMENSIONS	Kg	€
GAD 150150	15 x 15 cm	1,25	8,00
GAD 200200	20 x 20 cm	2,20	14,50
GAD 250250	25 x 25 cm	3,20	21,00
GAD 300300	30 x 30 cm	4,50	28,50

Shaped - Perimeter thickness 1.5 cm, centre thickness 1 cm



* the prices shown here are excluding VAT

Cast iron fire- wood holder and winglets



PL 31 L



ART.	DIMENSIONS	Kg	€
PL 31 L	ant. 68 post. 57 x 39 x 15 h cm	16,20	151,00



Assembled products / Find out more on our website

PL 31 C



ART.	DIMENSIONS	Kg	€
PL 31 C	ant. 68 post. 57 x 39 x 15 h cm	16,80	155,00



Assembled products / Find out more on our website

*** the prices shown here are excluding VAT**

PL 32 L



ART.	DIMENSIONS	Kg	€
PL 32 L	ant. 60 post. 48 x 40 x 15 h cm	14,20	127,00



Assembled products / Find out more on our website

PL 32 C



ART.	DIMENSIONS	Kg	€
PL 32 C	ant. 60 post. 48 x 40 x 15 h cm	14,80	131,00



Assembled products / Find out more on our website

* the prices shown here are excluding VAT



PL 33 L



ART.	DIMENSIONS	Kg	€
PL 33 L	ant. 45 post. 42,5 x 28,5 x 15 h cm	9,70	87,50



Assembled products / Find out more on our website

PL 33 C



ART.	DIMENSIONS	Kg	€
PL 33 C	ant. 45 post. 42,5 x 28,5 x 15 h cm	10,20	91,00



Assembled products / Find out more on our website

*** the prices shown here are excluding VAT**

PL 10



ART.	DIMENSIONS	Kg	€
PL 10	64 x 45 x 15 h cm	15,50	107,00



Assembled products / Find out more on our website

PL 11



ART.	DIMENSIONS	Kg	€
PL 11	45 x 32 x 13 h cm	8,20	47,00



Assembled products / Find out more on our website

* the prices shown here are excluding VAT



PL 22



ART.	DIMENSIONS	Kg	€
PL 22	ant. 51 post. 68 x 20 x 17,5 h cm	13,70	78,00



Assembled products / Find out more on our website

PL 43



ART.	DIMENSIONS	Kg	€
PL 43	38 x 26 x 16 h cm	6,40	45,00



Assembled products / Find out more on our website

*** the prices shown here are excluding VAT**



A 9



ART.	DIMENSIONS	Kg	€
A9	48 x 46 h cm	12,00	78,00

Assembled products / Find out more on our website

A 10



ART.	DIMENSIONS	Kg	€
A 10	60,3 x 58 h cm	20,00	130,00

Assembled products / Find out more on our website



* the prices shown here are excluding VAT







A romantic scene featuring a man and a woman in silhouette, facing each other and looking towards a bright fire in a fireplace. The room is dimly lit, with warm light from the fire and string lights above. The woman has long hair, and the man is on the right. The background shows a wooden wall on the left and a dark wall on the right.

**Feel your
home's
warmth
with
Lunaway**



Find out more on our website:

Τηλ. παραγγελιών: **210 2816776**

e-mail: **lunawayhellas@gmail.com**

website: **www.lunaway.it/greek-official-distributor**



LUNAWAY | COMPLEMENTS FOR
FIREPLACES AND STOVES



Τηλ. παραγγελιών: **210 2816776**
e-mail: lunawayhellas@gmail.com
website: lunaway.it/greek-official-distributor